

โปรแกรมช่วยทดสอบหม้อแปลงกระแส

1.เมนูของโปรแกรม



ภาพที่ 1 หน้าเมนูของโปรแกรม

Public Class frmMain

Private Sub Button1_Click(ByVal sender As System.Object, ByVal e As System.EventArgs)

Handles Button1.Click

Dim F1 As New Form1

F1.ShowDialog(Me)

Button1.BackColor = Color.Orange

Button2.BackColor = Color.Blue

Button3.BackColor = Color.Blue

Button4.BackColor = Color.Blue

Button5.BackColor = Color.Blue

```
'Button7.BackColor = Color.Blue
```

```
Button8.BackColor = Color.Blue
```

```
End Sub
```

```
Private Sub Button2_Click(ByVal sender As System.Object, ByVal e As System.EventArgs)
```

```
Handles Button2.Click
```

```
Dim F2 As New Form2
```

```
F2.ShowDialog(Me)
```

```
Button1.BackColor = Color.Orange
```

```
Button2.BackColor = Color.Red
```

```
Button3.BackColor = Color.Orange
```

```
Button4.BackColor = Color.Orange
```

```
Button5.BackColor = Color.Orange
```

```
'Button7.BackColor = Color.Orange
```

```
Button8.BackColor = Color.Orange
```

```
End Sub
```

```
Private Sub Button3_Click(ByVal sender As System.Object, ByVal e As System.EventArgs)
```

```
Handles Button3.Click
```

```
Dim F3 As New Form3
```

```
F3.ShowDialog(Me)
```

```
Button1.BackColor = Color.Red
```

```
Button2.BackColor = Color.Red
```

```
Button3.BackColor = Color.Blue
```

```
Button4.BackColor = Color.Red
```

```
Button5.BackColor = Color.Red
```

```
'Button7.BackColor = Color.Red
```

```
Button8.BackColor = Color.Red
```

```
End Sub
```

```
Private Sub Button4_Click(ByVal sender As System.Object, ByVal e As System.EventArgs)
```

```
Handles Button4.Click
```

```
Dim F4 As New Form4
```

```
F4.ShowDialog(Me)
Button1.BackColor = Color.Lime
Button2.BackColor = Color.Lime
Button3.BackColor = Color.Lime
Button4.BackColor = Color.DeepSkyBlue
Button5.BackColor = Color.Lime
'Button7.BackColor = Color.Lime
Button8.BackColor = Color.Lime

End Sub
```

```
Private Sub Button5_Click(ByVal sender As System.Object, ByVal e As System.EventArgs)
```

```
Handles Button5.Click
```

```
Dim F6 As New Form6
F6.ShowDialog(Me)
Button1.BackColor = Color.Yellow
Button2.BackColor = Color.Yellow
Button3.BackColor = Color.Yellow
Button4.BackColor = Color.Yellow
Button5.BackColor = Color.Lime
'Button7.BackColor = Color.Yellow
Button8.BackColor = Color.Yellow

End Sub
```

```
Private Sub Button8_Click(ByVal sender As System.Object, ByVal e As System.EventArgs)
```

```
Handles Button8.Click
```

```
Dim F8 As New Form8
F8.ShowDialog(Me)
Button1.BackColor = Color.LawnGreen
Button2.BackColor = Color.LawnGreen
Button3.BackColor = Color.LawnGreen
Button4.BackColor = Color.LawnGreen
```

```
Button5.BackColor = Color.LawnGreen
'Button7.BackColor = Color.LawnGreen
Button8.BackColor = Color.Yellow

End Sub

Private Sub PictureBox3_MouseEnter(ByVal sender As Object, ByVal e As System.EventArgs)
Handles PictureBox3.MouseEnter
PictureBox3.Image = My.Resources.exits1

End Sub

Private Sub PictureBox3_MouseLeave(ByVal sender As Object, ByVal e As System.EventArgs)
Handles PictureBox3.MouseLeave

PictureBox3.Image = My.Resources.exitover

End Sub

Private Sub PictureBox3_Click(ByVal sender As System.Object, ByVal e As System.EventArgs)
Handles PictureBox3.Click

If MessageBox.Show("คุณต้องการออกจากโปรแกรมนี้ ใช่หรือไม่?", "คำยืนยัน",
MessageBoxButtons.YesNo, MessageBoxIcon.Question) = Windows.Forms.DialogResult.Yes
Then

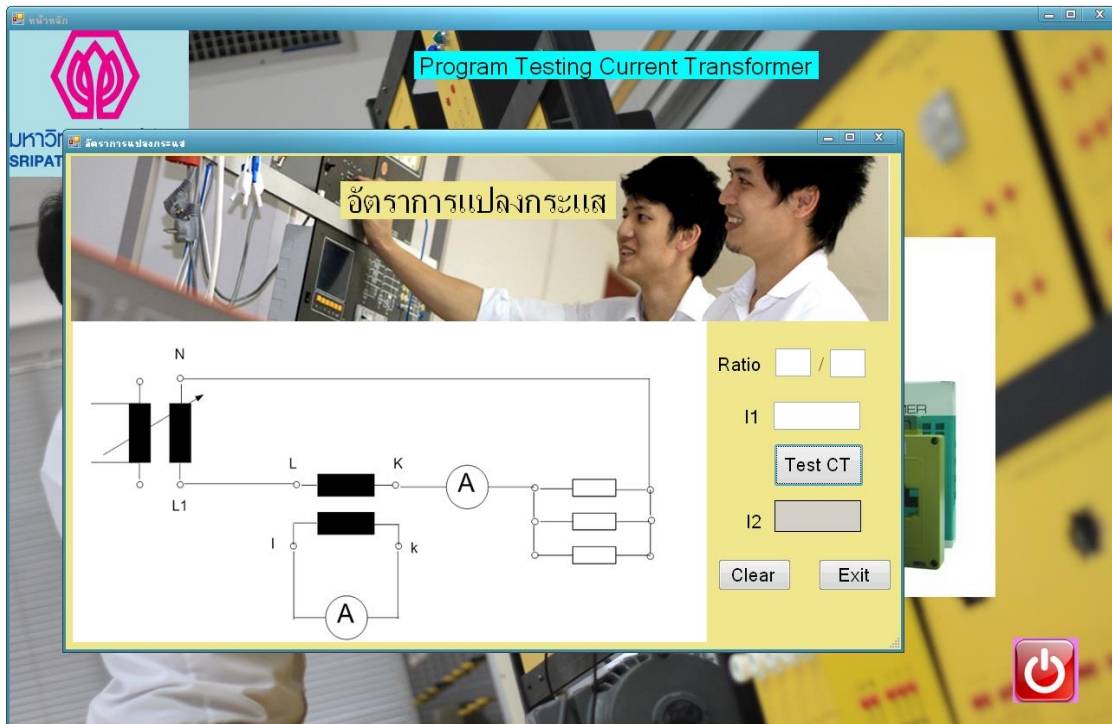
End

End If

End Sub

End Class
```

2.ใบงาน การทดลองที่ 1



ภาพที่ 2 การทดลองที่ 1 ของโปรแกรม

```
Public Class Form1
```

```
Private Sub Button1_Click(ByVal sender As System.Object, ByVal e As  
System.EventArgs) Handles Button1.Click  
Dim I1 As Double  
I1 = Cdbl(txtI1.Text)  
lblI2.Text = (Ratio2.Text / Ratio1.Text) * I1
```

```
End Sub
```

```
Private Sub Button2_Click(ByVal sender As System.Object, ByVal e  
As System.EventArgs) Handles Button2.Click  
Me.Ratio1.Text = ""  
Me.Ratio2.Text = ""  
Me.lblI2.Text = ""  
Me.txtI1.Text = ""
```

```
End Sub
```

```
Private Sub Button3_Click(ByVal sender As System.Object, ByVal e  
As System.EventArgs) Handles Button3.Click  
If MessageBox.Show("คุณต้องการออกจากหน้านี้ ใช่หรือไม่?", "คำยืนยัน",  
MessageBoxButtons.YesNo, MessageBoxIcon.Question) =  
Windows.Forms.DialogResult.Yes Then
```

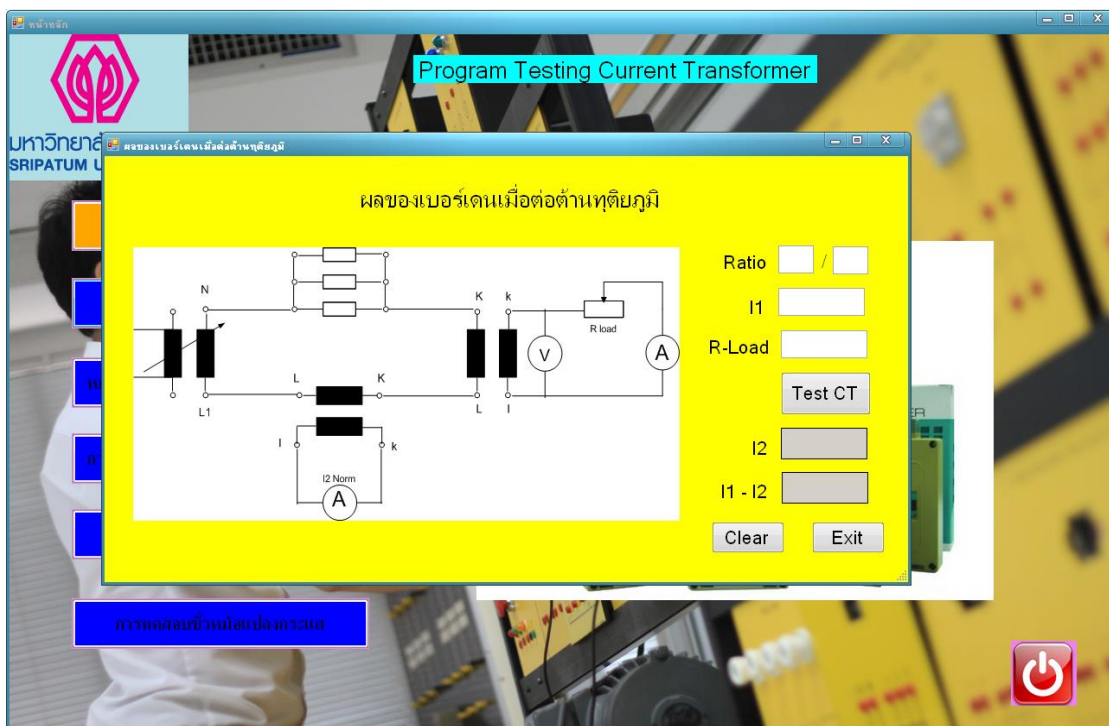
```

        Me.Close()
    End If
End Sub

Private Sub Form1_Load(ByVal sender As System.Object, ByVal e As
System.EventArgs) Handles MyBase.Load
    Dim F1 As New AboutBox1
    F1.ShowDialog(Me)
End Sub
End Class

```

3.ใบงาน การทดลองที่ 2



ภาพที่ 3 การทดลองที่ 2 ของโปรแกรม

```
Public Class Form2
```

```

Private Sub Button2_Click(ByVal sender As System.Object, ByVal e As
System.EventArgs) Handles Button2.Click
    Me.Ratio1.Text = ""
    Me.Ratio2.Text = ""
    Me.txtRLoad.Text = ""
    Me.txtI1.Text = ""
    Me.lblI2.Text = ""
    Me.lblI3.Text = ""

```

```

End Sub

Private Sub Button3_Click(ByVal sender As System.Object, ByVal e As
System.EventArgs) Handles Button3.Click
    If MessageBox.Show("คุณต้องการออกจากหน้านี้ ใช่หรือไม่?", "คำยืนยัน",
MessageBoxButtons.YesNo, MessageBoxIcon.Question) =
Windows.Forms.DialogResult.Yes Then
        Me.Close()
    End If
End Sub

Private Sub Button1_Click(ByVal sender As System.Object, ByVal e As
System.EventArgs) Handles Button1.Click
    'rload = Val(Text1.Text)
    'Dim I1 As Double
    'Dim I2 As Double
    'Dim I3 As Double
    'I2 = Val(Text4.Text) * Val(Text6.Text) / Val(Text2.Text)
    'Text5.Text = CStr(I2) - rload
    'I3 = Val(Text4.Text) - Val(Text5.Text)
    'Text7.Text = CStr(I3)

    Dim rload As Double
    rload = CDb1(txtRLoad.Text)

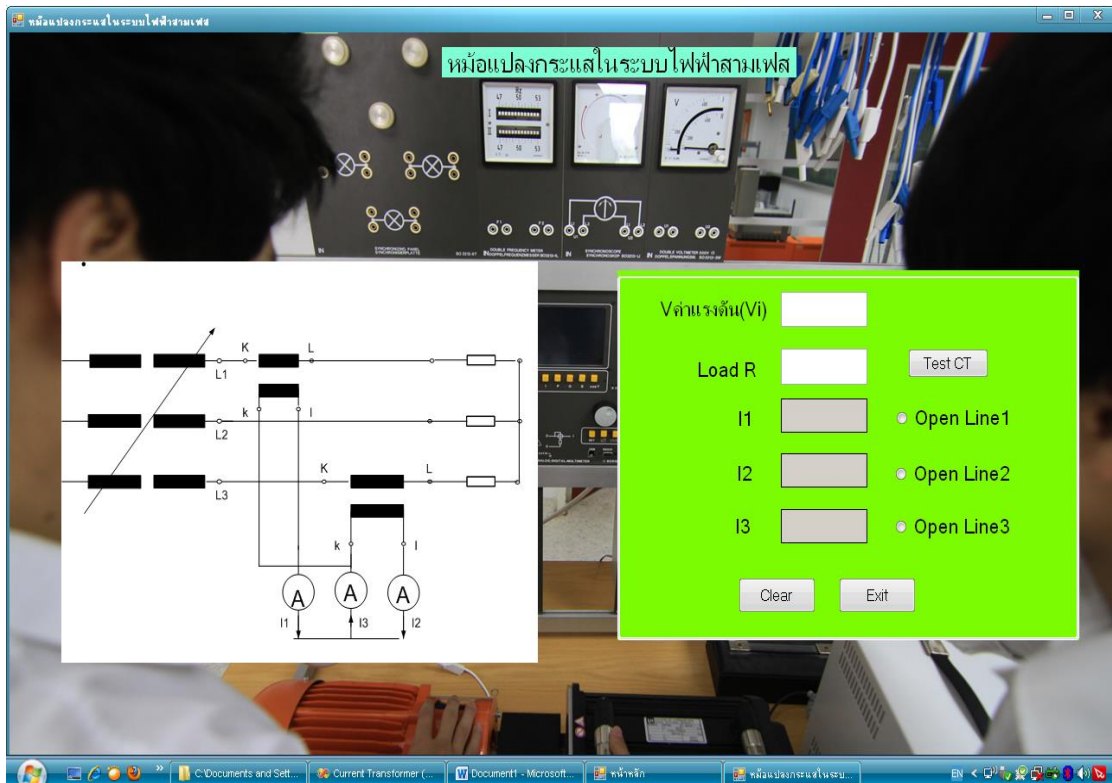
    Dim I2 As Double
    Dim I3 As Double
    I2 = CDb1(txtI1.Text) * (CDb1(Ratio2.Text) /
CDb1(Ratio1.Text))
    Me.lblI2.Text = I2 - rload

    I3 = CDb1(Me.txtI1.Text) - Me.lblI2.Text
    lblI3.Text = CDb1(I3)
End Sub

Private Sub Form2_Load(ByVal sender As System.Object, ByVal e As
System.EventArgs) Handles MyBase.Load
    Dim F2 As New AboutBox2
    F2.ShowDialog(Me)
End Sub
End Class

```

4.ใบงาน การทดลองที่ 3



ภาพที่ 4 การทดลองที่ 3 ของโปรแกรม

```
Public Class Form3
```

```
Private Sub Button4_Click(ByVal sender As System.Object, ByVal e As System.EventArgs) Handles Button4.Click
```

```
    Dim V As Double
    Dim R As Double
    V = Cdbl(Me.TextBox2.Text) * 2
    R = Cdbl(Me.TextBox1.Text) / V
    Me.lblI1.Text = R
    Me.lblI2.Text = R
    Me.lblI3.Text = R
```

```
End Sub
```

```
Private Sub Button6_Click(ByVal sender As System.Object, ByVal e As System.EventArgs) Handles Button6.Click
```

```
    Me.TextBox1.Text = ""
    Me.TextBox2.Text = ""
    Me.lblI1.Text = ""
    Me.lblI2.Text = ""
    Me.lblI3.Text = ""
    Me.OpenLine1.Checked = False
    Me.OpenLine2.Checked = False
    Me.OpenLine3.Checked = False
```

```
End Sub
```



```

Private Sub Button5_Click(ByVal sender As System.Object, ByVal e As
System.EventArgs) Handles Button5.Click
    If MessageBox.Show("คุณต้องการออกจากหน้านี้ ใช่หรือไม่?", "คำยืนยัน",
MessageBoxButtons.YesNo, MessageBoxIcon.Question) =
Windows.Forms.DialogResult.Yes Then
        Me.Close()
    End If
End Sub

Private Sub OpenLine1_CheckedChanged(ByVal sender As System.Object,
ByVal e As System.EventArgs) Handles OpenLine1.CheckedChanged
    If OpenLine1.Checked = True Then
        'OpenLine1 = True
        Me.lblI1.Text = 0
        Dim V As Double
        Dim R As Double
        V = Cdbl(Me.TextBox2.Text) * 2
        R = Cdbl(Me.TextBox1.Text) / V
        Me.lblI2.Text = R
        Me.lblI3.Text = R
    End If

End Sub

Private Sub OpenLine2_CheckedChanged(ByVal sender As System.Object,
ByVal e As System.EventArgs) Handles OpenLine2.CheckedChanged
    If OpenLine2.Checked = True Then
        Me.lblI2.Text = 0
        Dim V As Double
        Dim R As Double
        V = Cdbl(Me.TextBox2.Text) * 2
        R = Cdbl(Me.TextBox1.Text) / V
        Me.lblI1.Text = R

        Me.lblI3.Text = R
    End If
End Sub

Private Sub OpenLine3_CheckedChanged(ByVal sender As System.Object,
ByVal e As System.EventArgs) Handles OpenLine3.CheckedChanged
    If OpenLine3.Checked = True Then
        Me.lblI3.Text = 0
        Dim V As Double
        Dim R As Double
        V = Cdbl(Me.TextBox2.Text) * 2
        R = Cdbl(Me.TextBox1.Text) / V
        Me.lblI1.Text = R
        Me.lblI2.Text = R

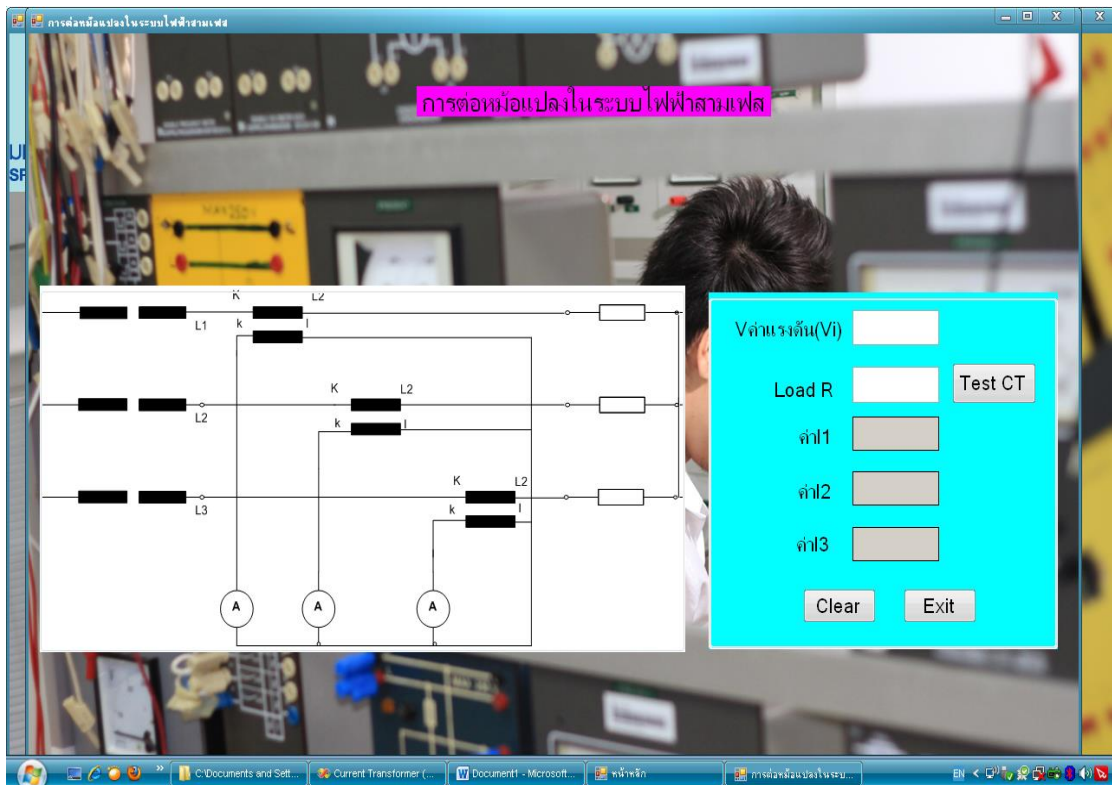
    End If
End Sub

Private Sub Form3_Load(ByVal sender As System.Object, ByVal e As
System.EventArgs) Handles MyBase.Load
    Dim F3 As New AboutBox3
    F3.ShowDialog(Me)

```

End Sub
End Class

5.ใบงาน การทดลองที่ 4



ภาพที่ 5 การทดลองที่ 4 ของโปรแกรม

```
Public Class Form4
```

```
Private Sub Button4_Click(ByVal sender As System.Object, ByVal e As System.EventArgs) Handles Button4.Click
```

```
Dim V As Double
```

```
Dim R As Double
```

```
V = Cdbl(Me.TextBox2.Text) * 2
```

```
R = Cdbl(Me.TextBox1.Text) / V
```

```
Me.lblI1.Text = R
```

```
Me.lblI2.Text = R
```

```
Me.lblI3.Text = R
```

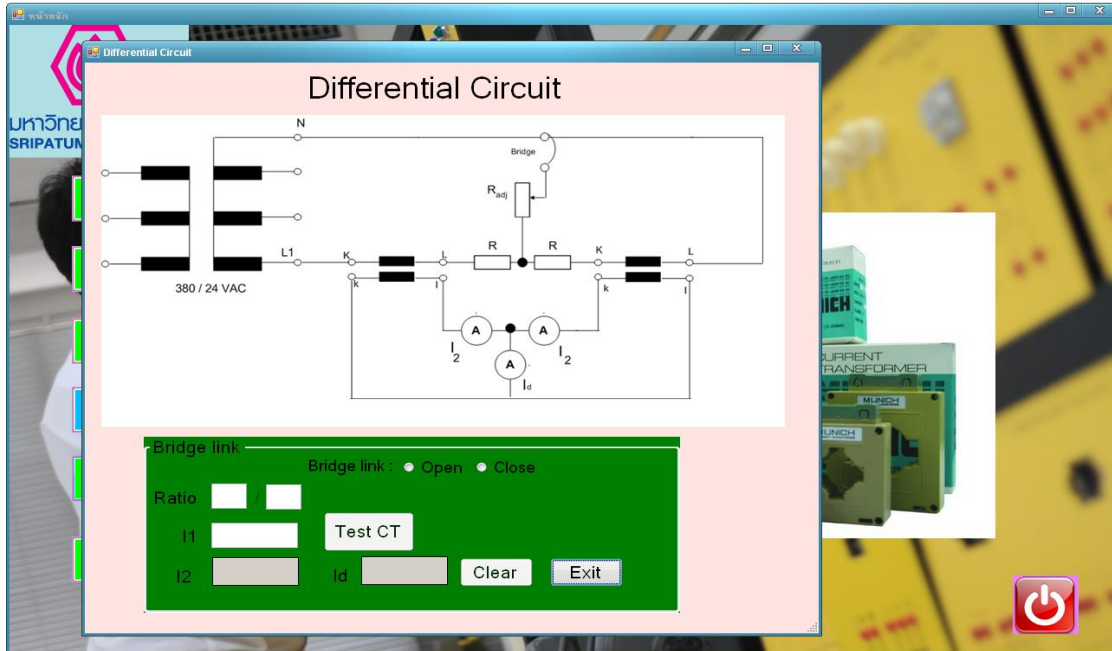
```
End Sub
```

```
Private Sub Button6_Click(ByVal sender As System.Object, ByVal e As
System.EventArgs) Handles Button6.Click
    Me.TextBox1.Text = ""
    Me.TextBox2.Text = ""
    Me.lblI1.Text = ""
    Me.lblI2.Text = ""
    Me.lblI3.Text = ""
End Sub

Private Sub Button5_Click(ByVal sender As System.Object, ByVal e As
System.EventArgs) Handles Button5.Click
    If MessageBox.Show("คุณต้องการออกจากหน้านี้ ใช่หรือไม่?", "คำยืนยัน",
MessageBoxButtons.YesNo, MessageBoxIcon.Question) =
Windows.Forms.DialogResult.Yes Then
        Me.Close()
    End If
End Sub

Private Sub Form4_Load_1(ByVal sender As System.Object, ByVal e As
System.EventArgs) Handles MyBase.Load
    Dim F4 As New AboutBox4
    F4.ShowDialog(Me)
End Sub
End Class
```

6.ใบงาน การทดลองที่ 5



ภาพที่ 6 การทดลองที่ 5 ของโปรแกรม

```
Public Class Form6
```

```
Private Sub Button1_Click(ByVal sender As System.Object, ByVal e As
System.EventArgs) Handles Button1.Click
    If (Me.Ratio1.Text = "") Or (Me.Ratio2.Text = "") Then
        MessageBox.Show("กรุณาเลือก เปิด Bridge link", "ผลการตรวจสอบ",
        MessageBoxButtons.OK, MessageBoxIcon.Warning)
    End If
    Exit Sub
End Sub
```

```
End If
```

```
If RadioButton1.Checked = True Then
    Dim I1 As Double
    I1 = Cdbl(txtI1.Text)
    lblI2.Text = (Ratio2.Text / Ratio1.Text) * I1
    lblV3.Text = I1 - Cdbl(Me.lblI2.Text)
End If
```

```
ElseIf RadioButton2.Checked = True Then
    Dim I1 As Double
    Dim I2 As Double
    I1 = Cdbl(txtI1.Text)
    I2 = (Ratio2.Text / Ratio1.Text) * I1
    Me.lblI2.Text = I2 * 1.732
    lblV3.Text = I1 - Cdbl(Me.lblI2.Text)
End If
```

```

        End If
    End Sub

    Private Sub Button2_Click(ByVal sender As System.Object, ByVal e
As System.EventArgs) Handles Button2.Click
        Me.Ratio1.Text = ""
        Me.Ratio2.Text = ""
        Me.lblI2.Text = ""
        Me.txtI1.Text = ""
        Me.RadioButton1.Checked = False
        Me.RadioButton2.Checked = False
        Me.lblV3.Text = ""

    End Sub

    Private Sub Button3_Click(ByVal sender As System.Object, ByVal e
As System.EventArgs) Handles Button3.Click
        If MessageBox.Show("คุณต้องการออกจากหน้านี้ ใช่หรือไม่?", "คำยืนยัน",
MessageBoxButtons.YesNo, MessageBoxIcon.Question) =
Windows.Forms.DialogResult.Yes Then
            Me.Close()
        End If
    End Sub

    Private Sub Form6_Load(ByVal sender As System.Object, ByVal e As
System.EventArgs) Handles MyBase.Load
        Dim F5 As New AboutBox5
        F5.ShowDialog(Me)
        Me.Ratio1.Enabled = False
        Me.Ratio2.Enabled = False
        Me.txtI1.Enabled = False
        Me.Button1.Enabled = False
        Me.Button2.Enabled = False
        Me.Button3.Enabled = True
        Me.lblI2.Enabled = False
        Me.lblV3.Enabled = False
    End Sub

    Private Sub RadioButton1_CheckedChanged(ByVal sender As
System.Object, ByVal e As System.EventArgs) Handles
RadioButton1.CheckedChanged
        Me.Ratio1.Enabled = True
        Me.Ratio2.Enabled = True
        Me.txtI1.Enabled = True
        Me.Button1.Enabled = True
        Me.Button2.Enabled = True
        Me.Button3.Enabled = True
        Me.lblI2.Enabled = True
        Me.lblV3.Enabled = True
    End Sub

    Private Sub RadioButton2_CheckedChanged(ByVal sender As
System.Object, ByVal e As System.EventArgs) Handles
RadioButton2.CheckedChanged
        Me.Ratio1.Enabled = True
        Me.Ratio2.Enabled = True
        Me.txtI1.Enabled = True

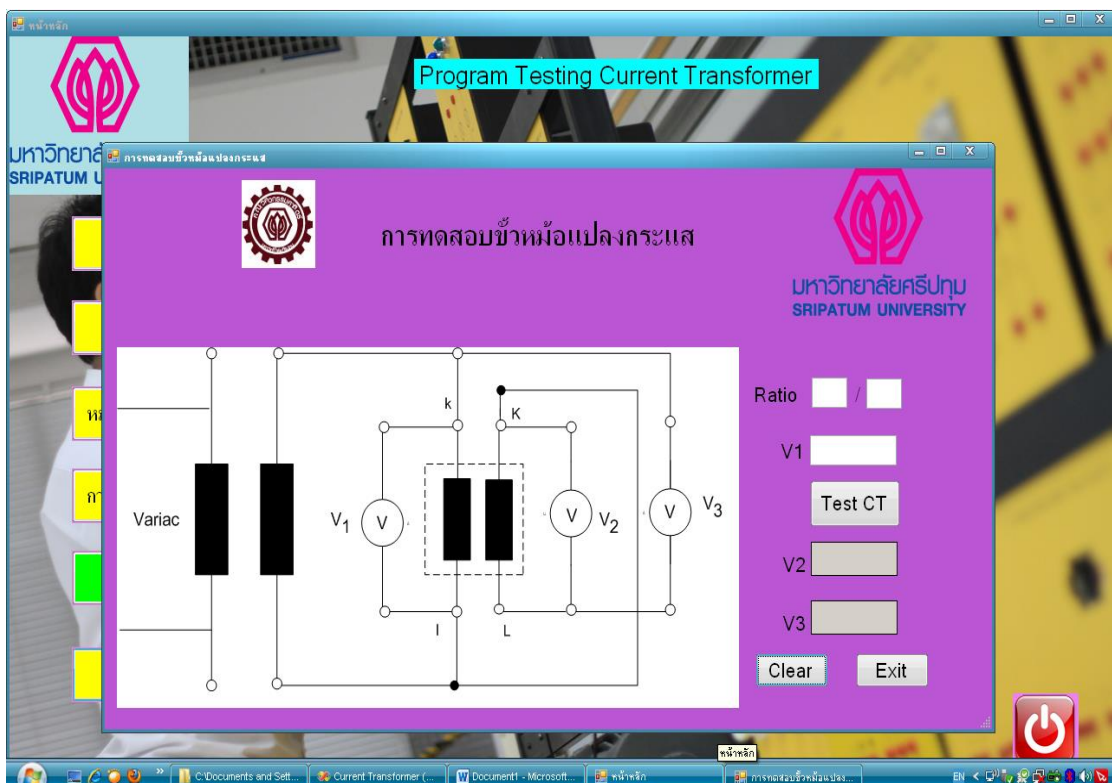
```

```

Me.Button1.Enabled = True
Me.Button2.Enabled = True
Me.Button3.Enabled = True
Me.lblI2.Enabled = True
Me.lblV3.Enabled = True
End Sub
End Class

```

7.ใบงาน การทดลองที่ 6



ภาพที่ 7 การทดลองที่ 6 ของ โปรแกรม

```
Public Class Form8
```

```
Private Sub Button5_Click(ByVal sender As System.Object, ByVal e As System.EventArgs) Handles Button5.Click
    Dim V1 As Double

```

```
V1 = Cdbl(txtV1.Text)
```

```
lblV2.Text = (Ratio2.Text / Ratio1.Text) * V1
```

```
Me.lblV3.Text = V1 + Cdbl(Me.lblV2.Text)
```

```
End Sub

Private Sub Button3_Click(ByVal sender As System.Object, ByVal e As
System.EventArgs) Handles Button3.Click
    If MessageBox.Show("คุณต้องการออกจากหน้านี้ ใช่หรือไม่?", "คำยืนยัน",
MessageBoxButtons.YesNo, MessageBoxIcon.Question) =
Windows.Forms.DialogResult.Yes Then
        Me.Close()
    End If
End Sub

Private Sub Button2_Click(ByVal sender As System.Object, ByVal e
As System.EventArgs) Handles Button2.Click
    Me.Ratio1.Text = ""
    Me.Ratio2.Text = ""
    Me.txtV1.Text = ""
    Me.lblV2.Text = ""
    Me.lblV3.Text = ""

End Sub

Private Sub Form8_Load(ByVal sender As System.Object, ByVal e As
System.EventArgs) Handles MyBase.Load
    Dim F7 As New AboutBox7
    F7.ShowDialog(Me)
End Sub
End Class
```